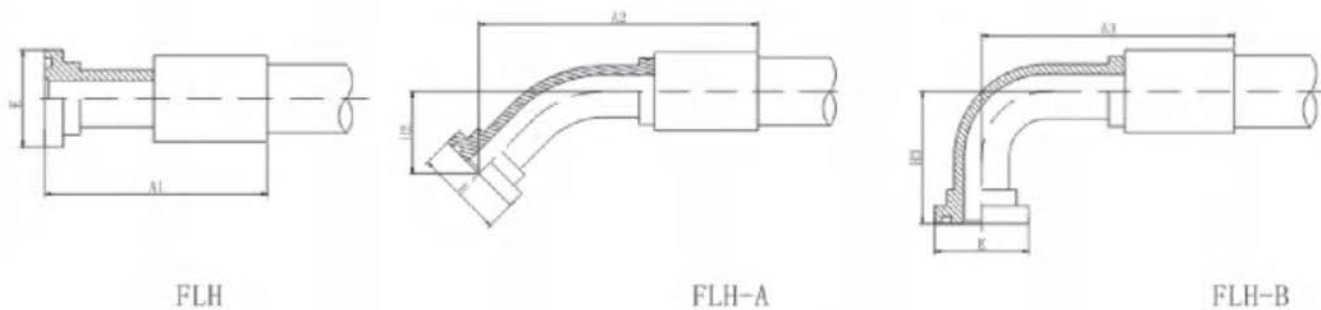


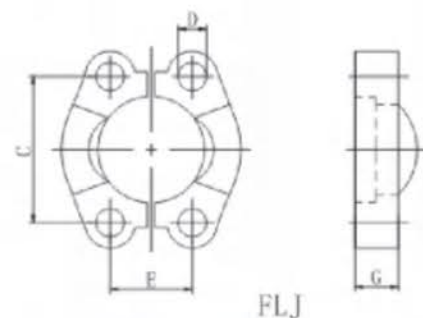
SAE法兰 3000PSI轻系列

序号	通径 (mm)	软管标号	法兰尺寸	A1* (mm)	A2* (mm)	A3* (mm)	H2 (mm)	H3 (mm)	E (mm)	订货号			O-RING (内X线)
										0°	45°	90°	
1	12	-08	1/2"	75	87.2	70	23.3	47	30.2	FL12	FL12A	FL12B	18.64X3.53
2	16	-10	3/4"	79.5	101.6	88	25.3	52.5	38.1	FL16	FL16A	FL16B	25.00X3.53
3	20	-12	3/4"	92.5	121.5	110.7	28.9	62	38.1	FL20	FL20A	FL20B	25.00X3.53
4	25	-16	1"	107	140.2	133	29.7	67.5	44.4	FL25	FL25A	FL25B	32.92X3.53
5	32	-20	1-1/4"	117	153.5	150.5	33.8	78.5	50.8	FL32	FL32A	FL32B	37.69X3.53
6	40	-24	1-1/2"	133	174.9	174.4	39.1	94	60.3	FL40	FL40A	FL40B	47.22X3.53
7	50	-32	2"	138.5	197.8	200.3	46.3	114.3	71.4	FL50	FL50A	FL50B	56.74X3.53
8	65	-40	2-1/2"	149	220	223	80*	140*	84.1	FL65	FL65A	FL65B	69.44X3.53



SAE法兰 6000PSI重系列

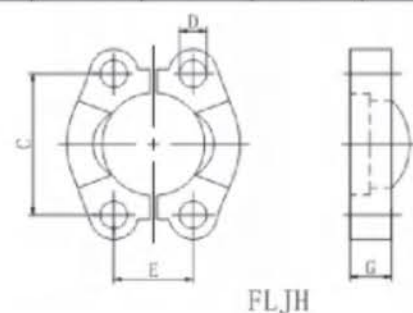
序号	通径 (mm)	软管标号	法兰尺寸	A1* (mm)	A2* (mm)	A3* (mm)	H2 (mm)	H3 (mm)	E (mm)	订货号			O-RING (内X线)
										0°	45°	90°	
1	12	-08	1/2"	76	87.9	70	24	48	31.7	FLH12	FLH12A	FLH12B	18.64x3.53
2	16	-10	3/4"	82.5	104	88	28.2	66	41.3	FLH16	FLH16A	FLH16B	25.00x3.53
3	20	-12	3/4"	95.5	123.7	110.7	31.8	69	41.3	FLH20	FLH20A	FLH20B	25.00x3.53
4	25	-16	1"	112	145.2	133	34.7	74.5	47.6	FLH25	FLH25A	FLH25B	32.92x3.53
5	32	-20	1-1/4"	125	162.8	150.5	41.5	89.5	54	FLH32	FLH32A	FLH32B	37.69x3.53
6	40	-24	1-1/2"	140	181.2	174.4	45.5	108	63.5	FLH40	FLH40A	FLH40B	47.22x3.53
7	50	-32	2"	153.5	204.2	200.3	52.7	136.3	79.4	FLH50	FLH50A	FLH50B	56.74x3.53



FLJ

SAE开边法兰夹 3000PSI轻系列

序号	通径 (mm)	软管标 号	法兰 尺寸	C (mm)	E (mm)	D (mm)	G (mm)	配用螺栓规格		最大工作压 力BAR	订货号
								M	UNC		
1	12	-08	1/2"	38.1	17.4	8.5	13	M8	5/16	345	FLJ12
2	20	-12	3/4"	47.6	22.2	10.5	14	M10	3/8	345	FLJ20
3	25	-16	1"	52.4	26.2	10.5	14	M10	3/8	345	FLJ25
4	32	-20	1.1/4"	58.7	30.2	10.5	16	M10	...	276	FLJ32
5	32	-20	1.1/4"	58.7	30.2	11.8	16	...	7/16	276	FLJ32/U
6	32	-20	1.1/4"	58.7	30.2	12.5	16	M12	...	276	FLJ32/12
7	40	-24	1.1/2"	69.8	35.6	13.5	16	M12	1/2	207	FLJ40
8	50	-32	2"	77.8	42.8	13.5	16	M12	1/2	207	FLJ50
9	50	-32	2"	77.8	42.8	14.6	16	M14	...	207	FLJ50/14
10	65	-40	2.1/2"	88.9	50.8	13.5	25	M12	1/2	172	FLJ65
11	76	-48	3"	106.4	62	17	27	M16	5/8	138	FLJ76
12	90	-56	3.1/2"	120.7	69.8	17	27	M16	5/8	34	FLJ90
13	100	-64	4"	130.2	77.8	17	27	M16	5/8	34	FLJ100
14	120	-80	5"	152.4	92	17	28	M16	5/8	34	FLJ120



FLJH

SAE开边法兰夹 6000PSI重系列

序号	通径 (mm)	软管标 号	法兰 尺寸	C (mm)	E (mm)	D (mm)	G (mm)	配用螺栓规格		最大工作压 力BAR	订货号
								M	UNC		
1	12	-08	1/2"	40.5	18.2	8.5	16	M8	5/16	414	FLJH12
2	20	-12	3/4"	50.8	23.8	10.5	19	M10	3/8	414	FLJH20
3	25	-16	1"	57.2	27.8	12.6	24	M12	7/16	414	FLJH25
4	32	-20	1.1/4"	66.7	31.8	13.5	27	M12	1/2	414	FLJH32/12
5	32	-20	1.1/4"	66.7	31.8	14.5	27	M14	...	414	FLJH32
6	40	-24	1.1/2"	79.4	36.6	17	30	M16	5/8	414	FLJH40
7	50	-32	2"	96.8	44.4	21	37	M20	3/4	414	FLJH50
8	65	-40	2.1/2"	123.8	58.8	25	45	M24	...	414	FLJH65
9	76	-48	3"	152.4	71.6	31.5	55	M30	...	414	FLJH76

备注：如需订整体法兰夹，请在开边法兰夹型号后加"W"，即为整体法兰夹型号。
例如：FLJ12W、FLJH25W、FLJ40W、FLJH50W